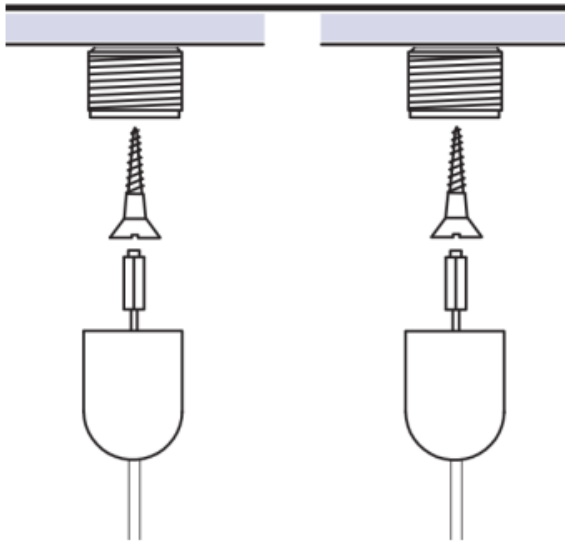


HANDLEIDING EN TECHNISCHE INFO ETALAGESYSTEEM EASY LED

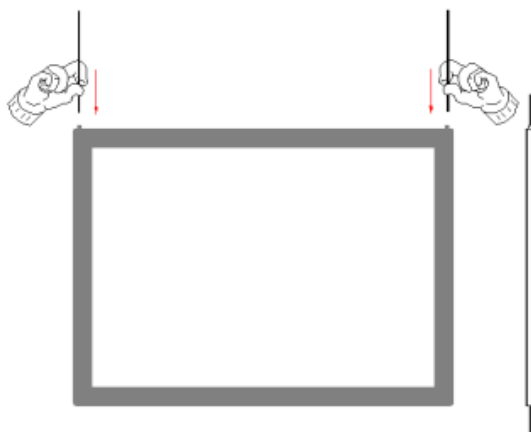
1. Fixing the 2 top ceiling bolts with correct location and distance between them



Notes:

1. Making sure the ceiling is insulating, and if not, you will need to add a plastic isolator;
2. Making sure the 2 top bolts on same line;
3. The distance between 2 hanging cables should be same as the hanging holes distance on light pocket.

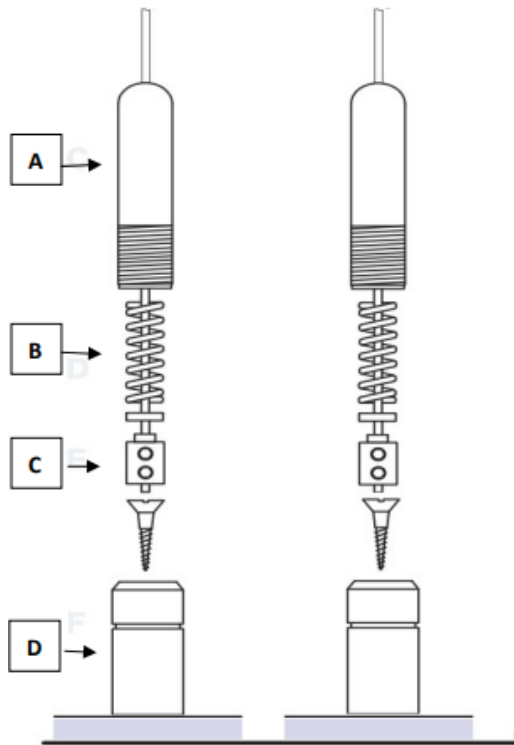
2. Installing the light pockets on steel hanging wire, **Just need to insert the steel cable** through the light pockets holes on 2 sides.



Notes:

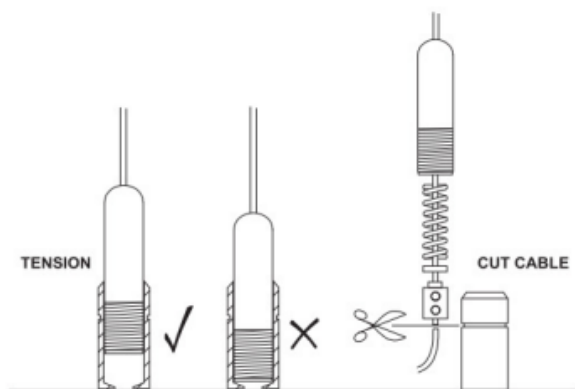
1. Please Making sure all light pockets are in same direction, Positive electrode on one side, and Negative electrode on other side.
2. You can suspend the light pocket quantity according to your requirements, but usually, we put 3pcs A3 landscape light pockets for one Column.

3. Fixing the Bottom Hanging Fittings



Steps:

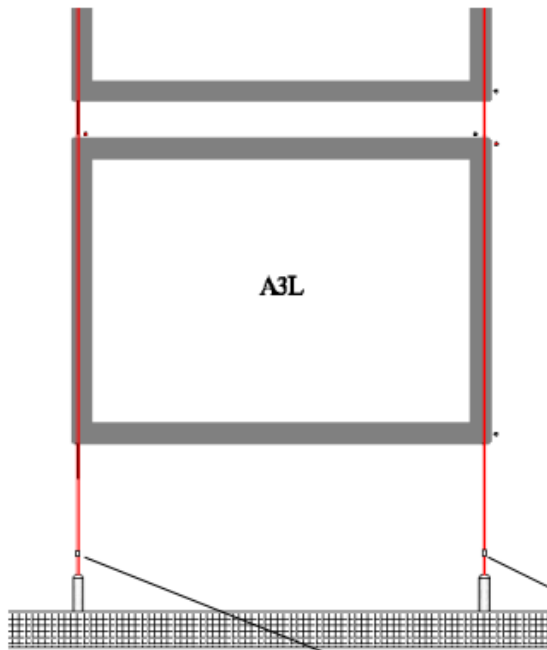
1. Fixing (D) On Floor with screws first;
2. Loosen the grub screws in fitting (C), using the Allen Wrench, and slide fittings (A), (B), and (C) up the cable;
3. Pull down and cut off excess cable in-line with the decorative line around fitting (D) (see the picture).
4. Tighten (C) on the end of the cable.
5. Adjust the tension of the cable by screwing (A) into (D)



Notes:

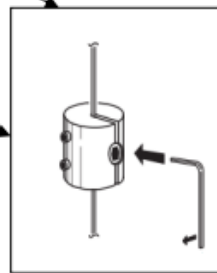
1. Making sure the floor is insulating, and if not, you will need to add a plastic isolator;
2. Making sure fixing 2 Bottom bolts on same line;
3. Cutting the steel cable in proper length, making sure the bottom bolts full of tension.

4. Electric Connection:

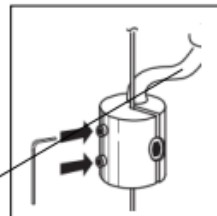


Steps:

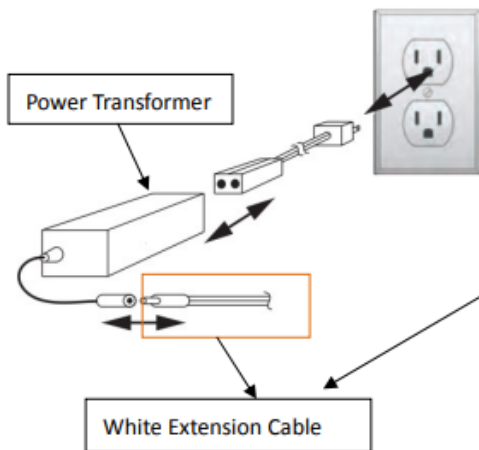
1. Fixing the Electric connectors on two side of the cables. (usually we install the connectors on bottom, but it is also ok if you need to Fixing them on the top ceiling to hid the power transformer)
2. Fixing the White DC Extension Cable on connectors.



Step 1: Fixing the connectors on the hanging steel wire.



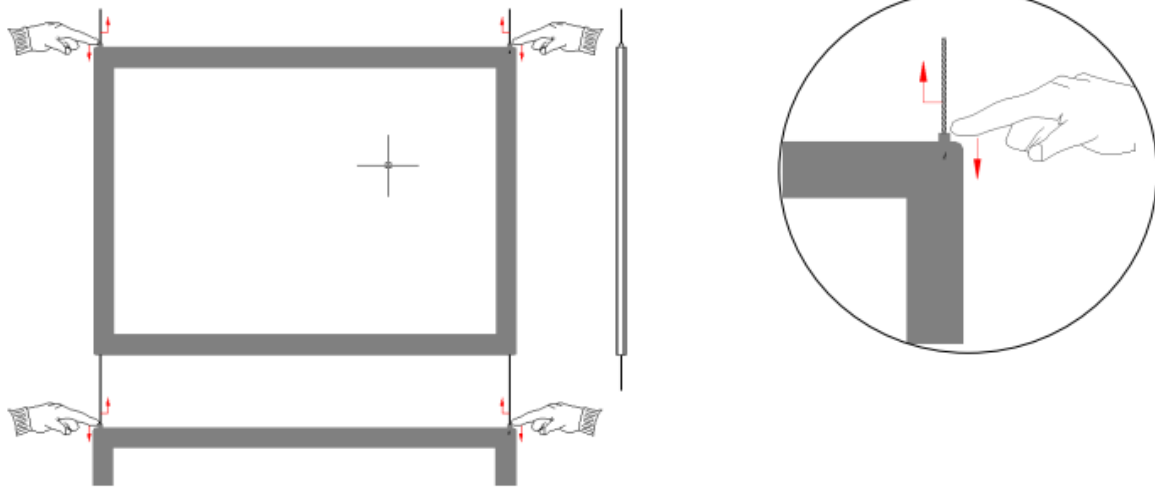
Step 2: Fixing the white Extension cable on this connectors.



Notes:

Making sure the power connecting correctly, the positive electrode should connect the light pocket positive electrode, and the Negative electrode should connect the light pockets negative electrode. It is very important!

5. Height & Distance Adjusting Between Each Light Pocket



Steps:

1. Pressing down and hold the "small tube" on 2 sides of the light pockets, light pocket will slid down through the hanging steel wire.
2. If you need to move up the light pocket, just pushing up from the bottom of the light pocket.

Notes:

1. When you press the "small tube" to move down the light pocket, please hold the light pocket with your hands to avoid the fast falling.
2. After you adjusted the height and distance, please making sure each light pocket was locked on steel hanging wire firmly

Technical Information For A3 & A4 Panel

ITEM Number	LPN-D-A4 (Double Sides, Double Orientation)	LPN-D-A3 (Double Sides, Double Orientation)
Frame Size (mm)	244*331mm	454*331mm
Visual Size(mm)	200*287mm	410*287mm
Picture Size(mm)	210*297mm	420*297mm
Thickness(mm)	10mm	10mm
Voltage (V)	12V	12V
Power (Watt)	9W / pcs	12W / pcs
Light Sources	SMD2835 LEDs	SMD2835 LEDs
LED Quantity	36pcs	48pcs
LED Strips Location	Edge Light from 2 short sides of the panel	Edge Light from 2 short sides of the panel
Brightness (Lux)	Around 4000 Lux	Around 3000 Lux
Weight (kgs)	1.20kgs/pcs	2.00kgs/pcs
Life Time	50000 Hours	50000 Hours
Certificate	CE & FCC	CE & FCC
Inner Packing Box Dimension (mm)	385*23*300mm	480*23*355mm